



## Q gateway 5

Q gateway 5 is a high-performance device, which combines the monitoring of all metering devices and network nodes within a single property with automatic remote data transmission.

It records the consumption data of up to 2.500 measuring devices\* and transmits these by GPRS/EDGE/UMTS/HSPA mobile transmission to the QUNDIS Smart Metering platform Q SMP. From there, all data are automatically transmitted to your office by e-mail or SSH FTP.

The device is factory-fitted with a SIM card. We manage all gateway configuration procedures via the Q SMP.

Q gateway 5 of the type RNG5N00R007x are battery-powered. There is a mains-operated version RNG5N00R107x available for daily readout.

\* Details according to the Gateway Service Description

## Functions

---

**Q gateway 5** represents a solution that supports a fully automated, safe internet connection by means of GPRS/EDGE/UMTS/HSPA network and safe, bidirectional wireless networking in the intelligent counter sub-system.

Metering data storage, AMI network data, smart meter management & control, **Q gateway 5** configurations & diagnostics is realized remotely and very simply using only the web browser in your office, powered by the cloud based **Q SMP** Head end software.

Gateways of the type RNG5N00R007x achieve a service life of more than 5 years, quite simply by using high-performance batteries combined with an extremely low power consumption. Thanks to the comprehensive range of features supported, the **Q gateway 5** becomes the ultimate solution in applications and projects which require total energy autonomy.

The system contributes to a significant saving in time, effort as well as costs, and the quality of service helps to increase overall customer satisfaction.

Do everything right from your office...

## Type summary

---

Type	Power supply
RNG5N00R007x	Battery
RNG5N00R107x	Mains power

## Key features

---

- ▶ Wireless M-Bus 868 MHz
- ▶ Excellent ISM radio sensitivity
- ▶ Quad-band GSM 900, 1.800 MHz / UMTS 900, 2.100 MHz
- ▶ Safe mobile data transfer in the ISM and GSM bands
- ▶ Highest possible wireless connectivity by national and international roaming
- ▶ Automatic selection of the optimum network guarantees maximum battery service life
- ▶ Battery power supply, for 5 years (depending on set operation scenario).
- ▶ Integrated GSM & ISM antennas
- ▶ Pre-installed SIM card and self-configuration of key parameters
- ▶ Indoor wall-mount
- ▶ Tamper detection and alarming
- ▶ Simple on-site installation
- ▶ Management via Q SMP (Qundis Smart Metering Platform)

## General information & user interfaces

---

- ▶ LCD display
- ▶ LED bi-colour optical indicator (red/green)
- ▶ Push button with cap
- ▶ SIM card holder: hinged, 8-way, SIM card detection switch
- ▶ SIM card type: mini SIM - DATA transfer enabled
- ▶ Tamper contact
- ▶ Buzzer: 4 kHz, 75 dB

## Technical data

### ISM Performance

Wireless M-Bus - supported mode	S mode (EN13757-4:2012)
Output power	max. 14 dBm
RSSI signal strength measurement	yes
AES encryption	128 bit
Frequency band	(868,3 +/- 0,3) MHz

### Mobile GPRS / EDGE / UMTS / HSPA performance

GSM	frequency bands	900 MHz	1.800 MHz
	output power	class 2 (1 W)	class 4 (2 W)
UMTS	frequency bands	900 MHz	2.100 MHz
	output power	class 3 (2 W)	class 4 (2 W)
GSM & ISM Antenna		Fully integrated high performance ISM and GSM antennas	

### Power supply and battery life time

Type RNG5N00R007x	
Power supply	3,6V battery, not rechargeable
Battery service life	5 years (depending on set operation scenario)
Type RNG5N00R107x	
Rated voltage	AC 100..240 V 50/60 Hz

### Dimensions

Dimensions	203 mm x 203 mm x 58 mm
Weight	RNG5N00R007x: 930 g RNG5N00R107x: 650 g
Housing	ABS + PC V1 plastic material
Installation	wall mount with 4x Ø3mm screws and dowels

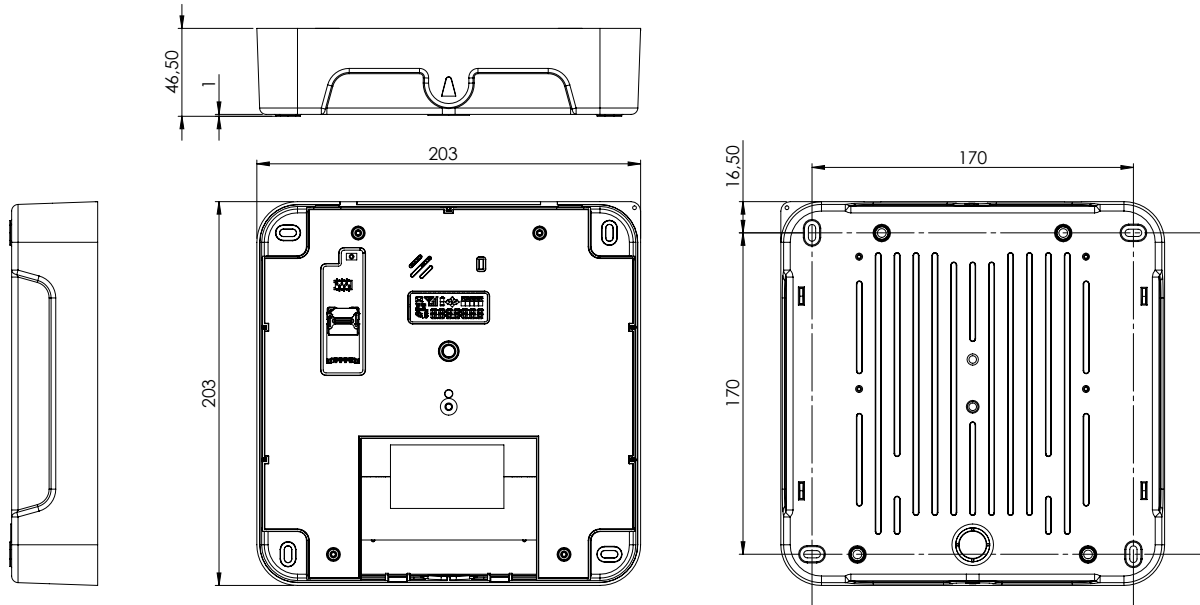
### Ambient conditions

Transport	-25°C to +70°C, relative air humidity: max. 95 % without condensation
Storage	-5°C to +45°C, relative air humidity: max. 95 % without condensation
Use	-5°C to +45°C, relative air humidity: max. 95 % without condensation

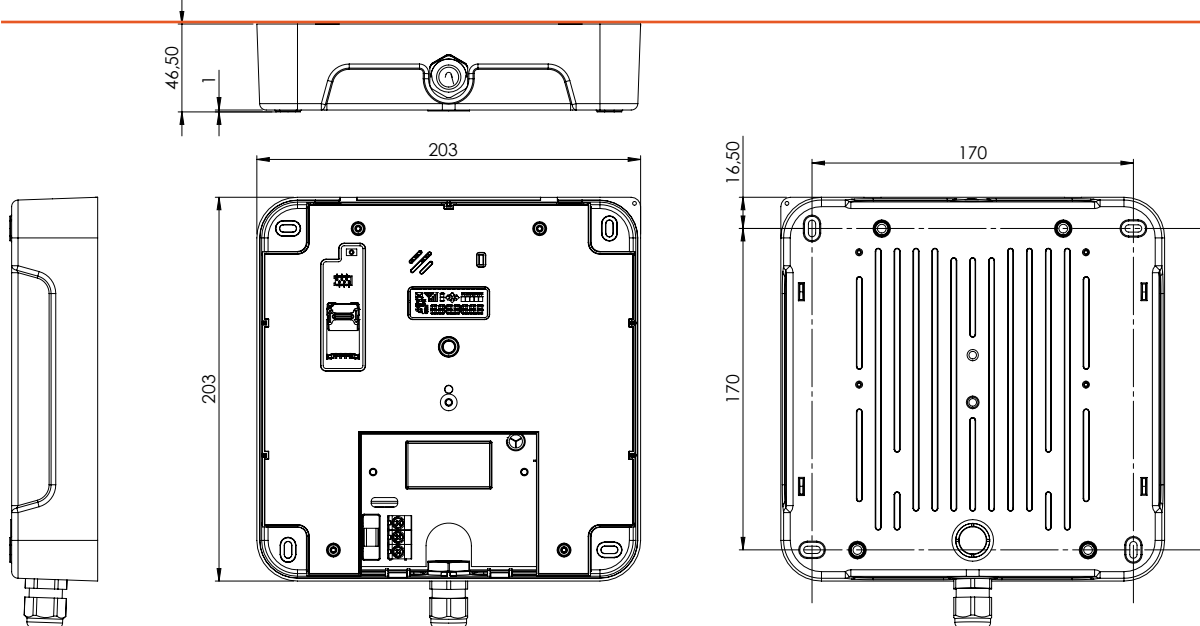
### Standards and norms

EU Conformity	yes
Protection rating	IP 30
Safety class	RNG5N00R007x: III RNG5N00R107x: II
Electromagnetic compatibility	EN 301 489-1, EN 301 489-3, EN 301 489-7
Type approved conforming with	RED directive

## Dimensional drawing type RNG5N00R0x



## Dimensional drawing type RNG5N00R1x



✉ **QUNDIS GmbH**  
Sonnentor 2  
99098 Erfurt/Germany  
☎ +49 (0) 361 26 280-0  
☎ +49 (0) 361 26 280-175  
✉ info@qundis.com  
**www.qundis.com**

The information in this data sheet only contains general descriptions or product characteristics, which may not always apply in particular application cases and/or may be subject to change through further development of the product.  
Required product characteristics are then binding if they are expressly agreed when the contract is drawn up.  
© 2017 QUNDIS GmbH. Subject to change